

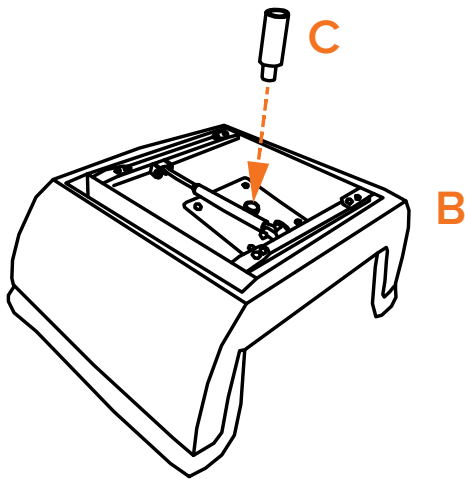
# Monaco Recliner & Footstool

Assembly Instructions

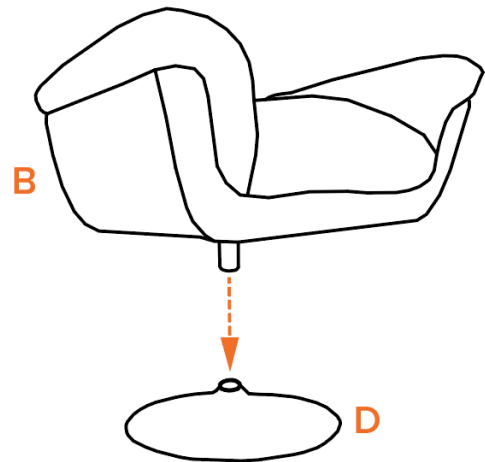


<b>A</b>	X 1	
<b>B</b>	X 1	
<b>C</b>	X 1	
<b>D</b>	X 1	
<b>E</b>	X 1	
<b>F</b>	X 1	
<b>G</b>	X 1	

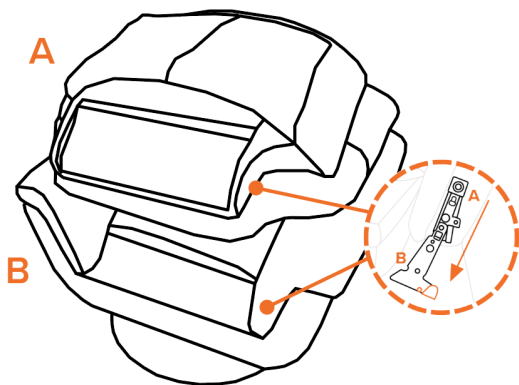
**1.**



**2.**



**3.**



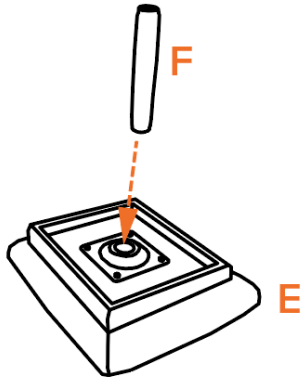
**4.**



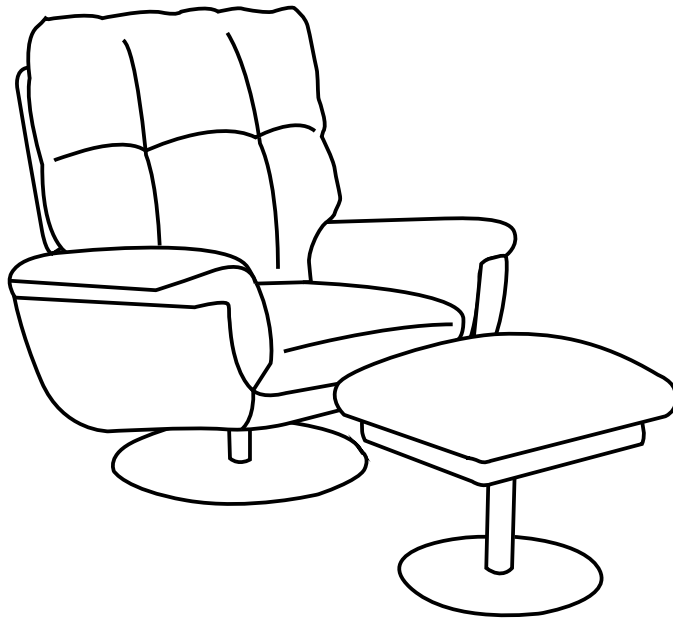
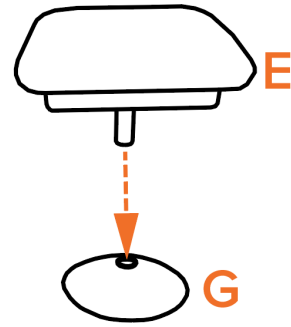
# Monaco Recliner & Footstool

Assembly Instructions

5.



6.



## To adjust headrest:

Manually adjustable headrest with 3 support positions. Pull the headrest forward to your preferred position. To reset, pull the headrest all the way forward until a “click” is heard and then the headrest will be free to return the original upright position.

